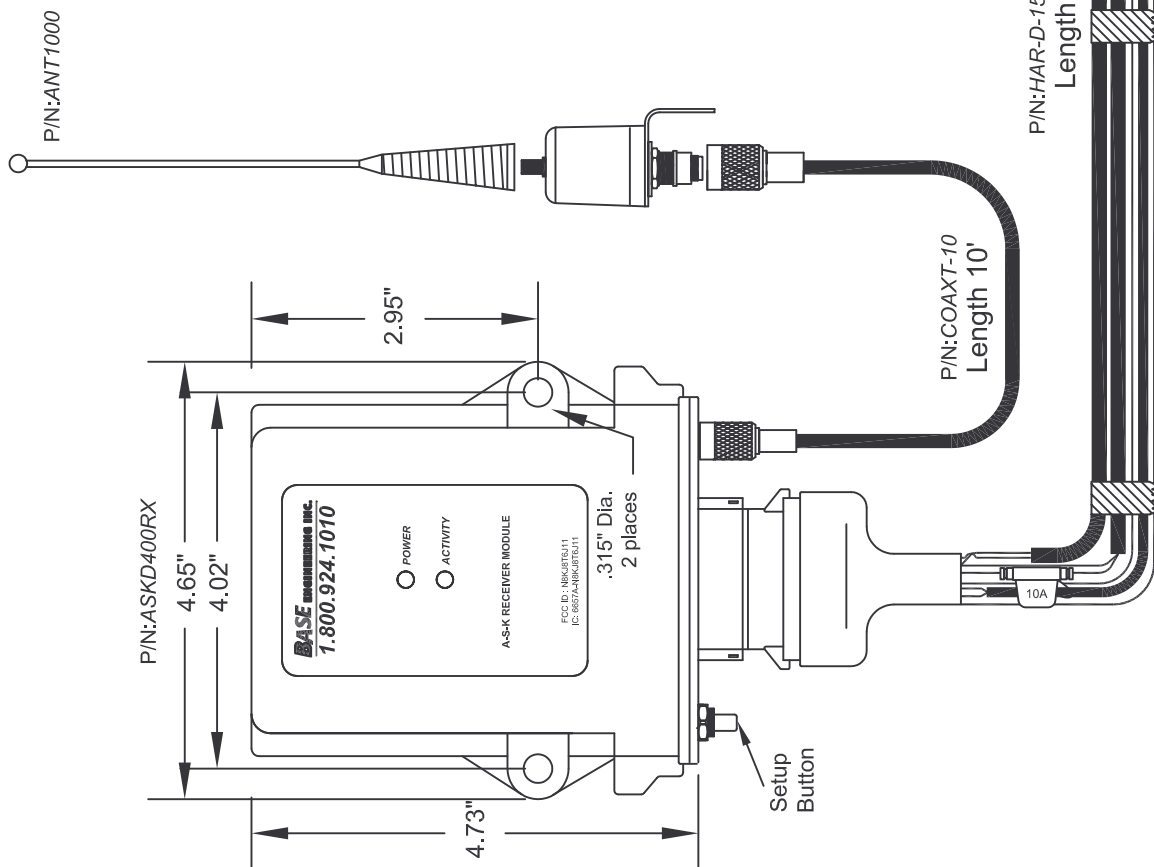
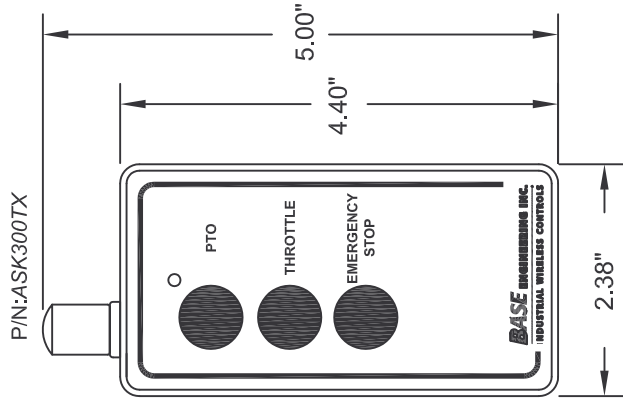
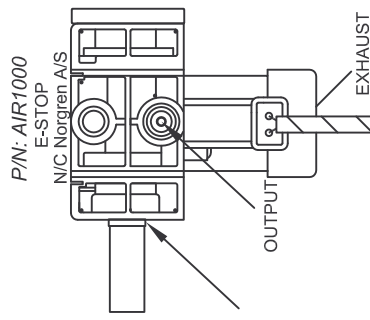
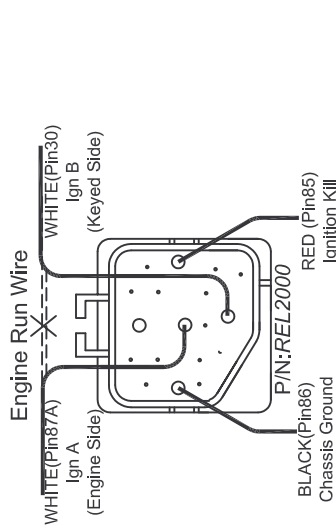


**Bottom View
Ignition Relay**



RECEIVER OPERATION NOTES:

1. Receiver is ARMED with signal from Park Brake, Internal Valve lamp or PTO lamp.
2. Pressing CH1 (PTO, Latched) will send 12V signal to Electric PTO switch.
3. Pressing CH2 (THROTTLE, Latched) will send a 12V signal to the Throttle Up/Down switch.
4. Pressing CH3 (ESTOP, Emergency Latched) will de-energize the Internal Valve air solenoid and close the tank valve while energizing Ignition Relay (pin 85), killing the truck engine.

Title
**SYSTEM WIRING
ASKWD300A**

Size A	Number 90606	Rev 4
Date July 7, 2008	Drawn By MLM	
Filename 90606AR4.dwg	Sheet 1 of 1	

BASE ENGINEERING INC.
INDUSTRIAL WIRELESS CONTROLS